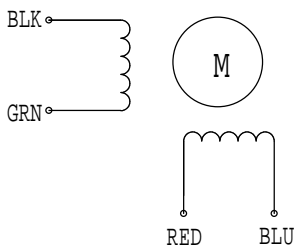


HIGH TORQUE HYBRID STEPPING MOTOR SPECIFICATIONS

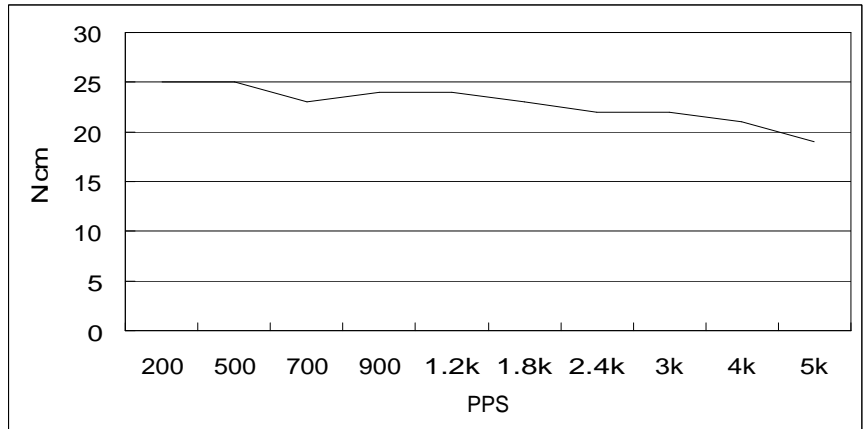
General specifications		Electrical specifications	
Step Angle (°)	1.8	Rated Voltage (V)	2.8
Temperature Rise (°C)	80 Max (rated current, 2 phase on)	Rated Current (A)	1.5
Ambient Temperature (°C)	-20 ~ +50	Resistance Per Phase (± 10% Ω)	2.8 (25°C)
Number of Phase	2	Inductance Per Phase (± 20% mH)	4.8
Insulation Resistance (MΩ)	100 Min (500VDC)	Holding Torque (N.cm)	55
Insulation Class	Class B	Detent Torque (N.cm)	200
Max.radial force (N)	28 (20mm from the flange)	Rotor Torque (N.cm ²)	68
Max.axial force (N)	10	Weight (Kg)	0.365

● Wiring Diagram :



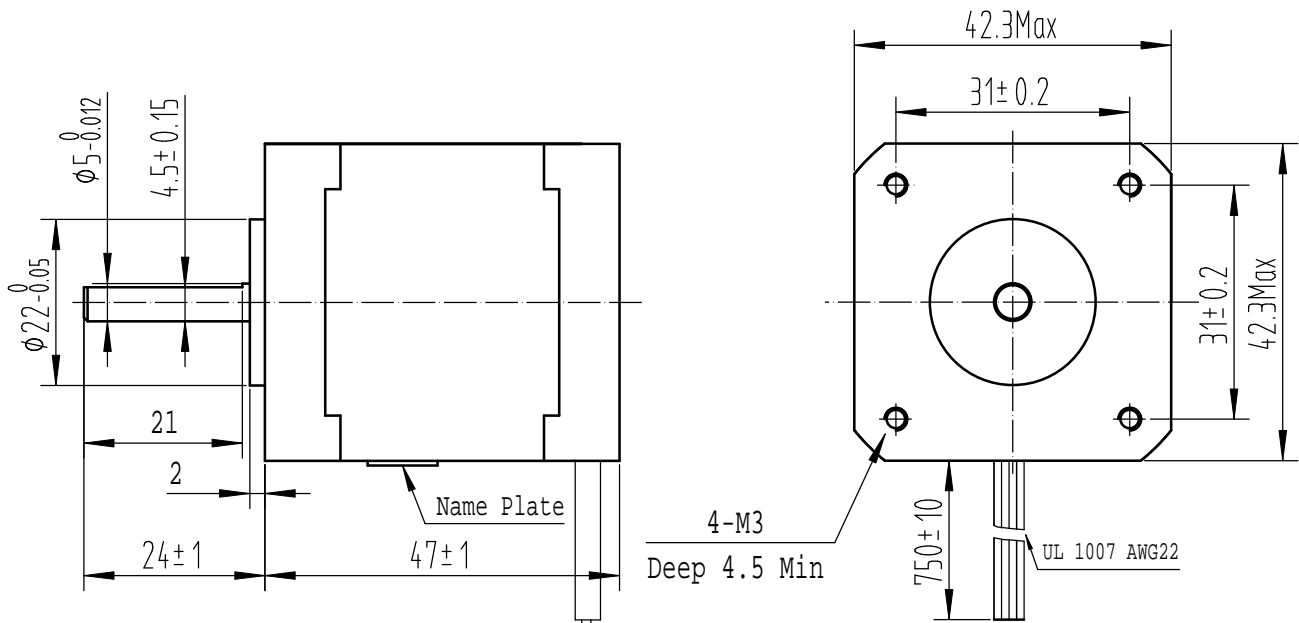
● Pull out torque curve :

VOLTAGE: 30VAC, CONSTANT CURRENT:1.5A, HALF STEP



● Dimensions:

(unit=mm)



REV	REVISIONS	DESCRIPTION	BY	DATE	SY42STH47-1504A	TECHNICAL CONDITIONS
DRAW	孔祥振	2011.08.30			CHANGZHOU SONGYANG MACHINERY & ELECTRONICS NEW TECHNIC INSTITUTE	060047067
CHECK						
APPROVE						